

Quick Start Guide for F-PRO 298 Feeder Protection Relay

In our ongoing efforts to run our business in an environmentally sensitive way, we are encouraging the use of PDF manuals and software downloads, available from our website. For your convenience, links are provided below to all software files to be downloaded.

If you do wish to have a hard copy manual or software on CD, you may request those from our Customer Support team (contact info below).

If you are reading a hard copy of this document, download the soft copy (includes links) from our website's Support/Documents page, in the Quick Start Guide column.

<http://www.erlphase.com/support.php?ID=documents>

1. Downloading the required software and manual

- a. The F-PRO 298 comes loaded with the requested firmware version. All required software, as well as the release description of the latest firmware version, is available on the [Software page](#) of our website. Contact the Customer Support team for release descriptions of any other firmware version.
- b. Download the following software on your computer:
 - [Relay Control Panel](#)
 - [F-PRO 2000 Offliner](#)
 - [ERL 61850 IED Configurator](#) (if needed)
- c. Install Relay Control Panel and F-PRO 2000 Offliner
- d. Install the USB Gadget driver for F-PRO 200 Series
- e. Install Null Modem

Download the [F-PRO 298 User Manual](#). Other documents such as logic diagrams (see Drawings column) are also available on the [Documents page](#) of our website.

2. Hardware and operating system requirements

Minimum hardware requirements:

- 1 GHz processor
- 2 GB RAM
- 20 GB available hard disk space
- USB port and Ethernet Port (RJ45)

3. Unpacking and connecting the relay

The following items are included in the F-PRO 298 cardboard box:

- USB cable
- Letter of Compliance to ISO 9001:2015 standard

There are no power switches on the relay. When the power supply is connected, the relay starts its initialization process.

1. Connect power supply to Slot 1, CON 2 #9/A, as shown in Figure 2. The wire used for the power supply wiring shall be at least 18 AWG (1.02 mm²), 600 V.
2. Ground the F-PRO at Slot 4, #29, (Chassis top right viewed from the rear).
3. Verify power supply rating (Vdc or Vac) of the relay before connecting to power source.

Relay standard power supply

1: 20 – 60Vdc (*Note: this option does not support Vac power supply*)

2: 80 – 300Vdc / 80 – 250 Vac, 50/60Hz

The relay is calibrated before it leaves the factory.

4. F-PRO 298 relay front and rear panel layout

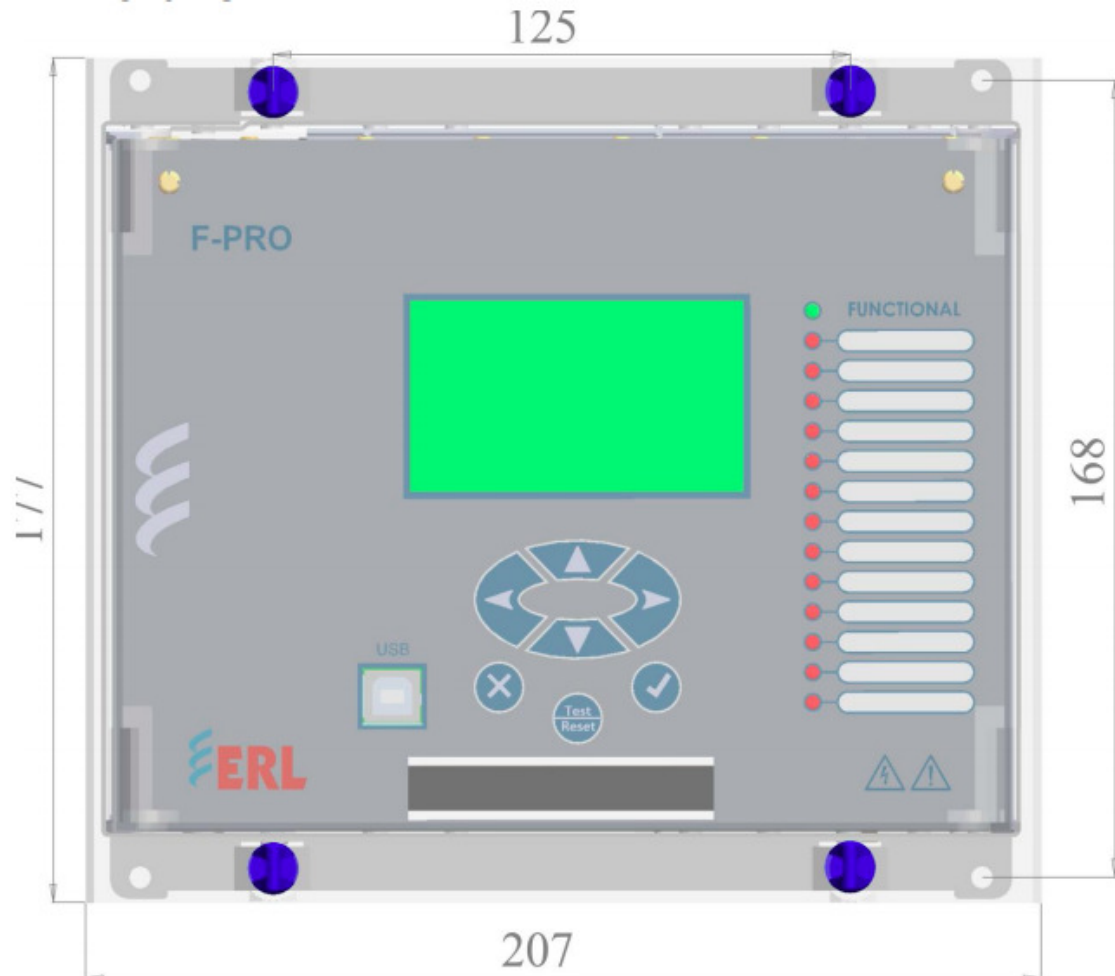


Figure 1 – F-PRO 298 Front View

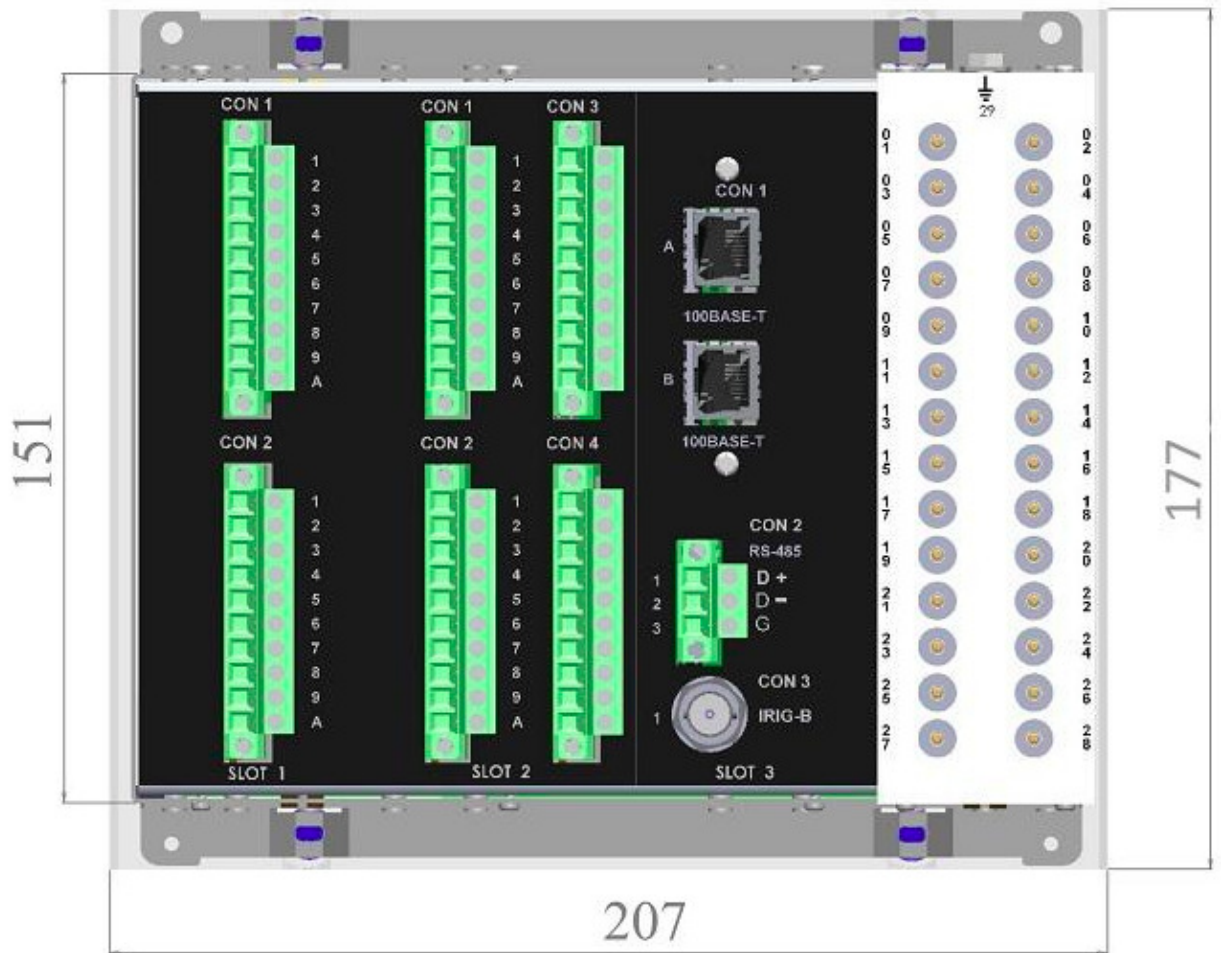


Figure 2 – F-PRO 298 Relay Rear View

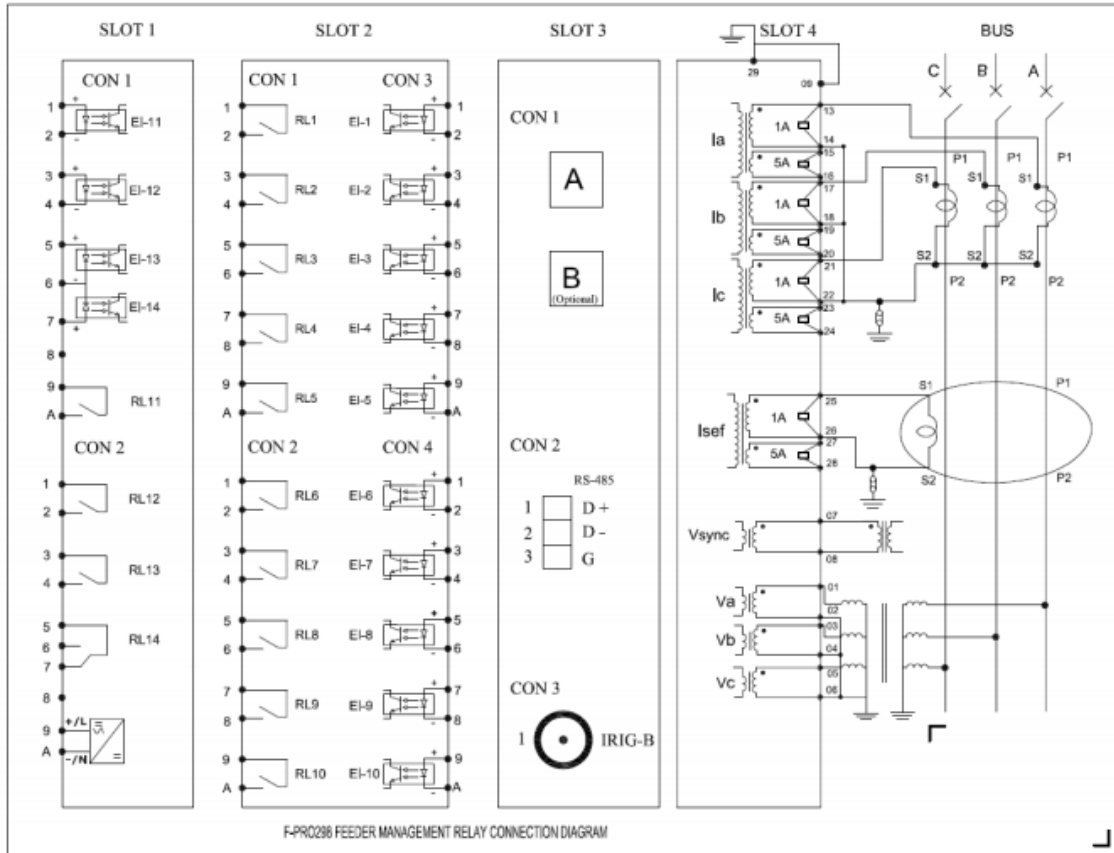


Figure 3 – Connection Diagram

For further information and contact Customer Support at:

support@erlphase.com

+1 204 477 0591 ext 1