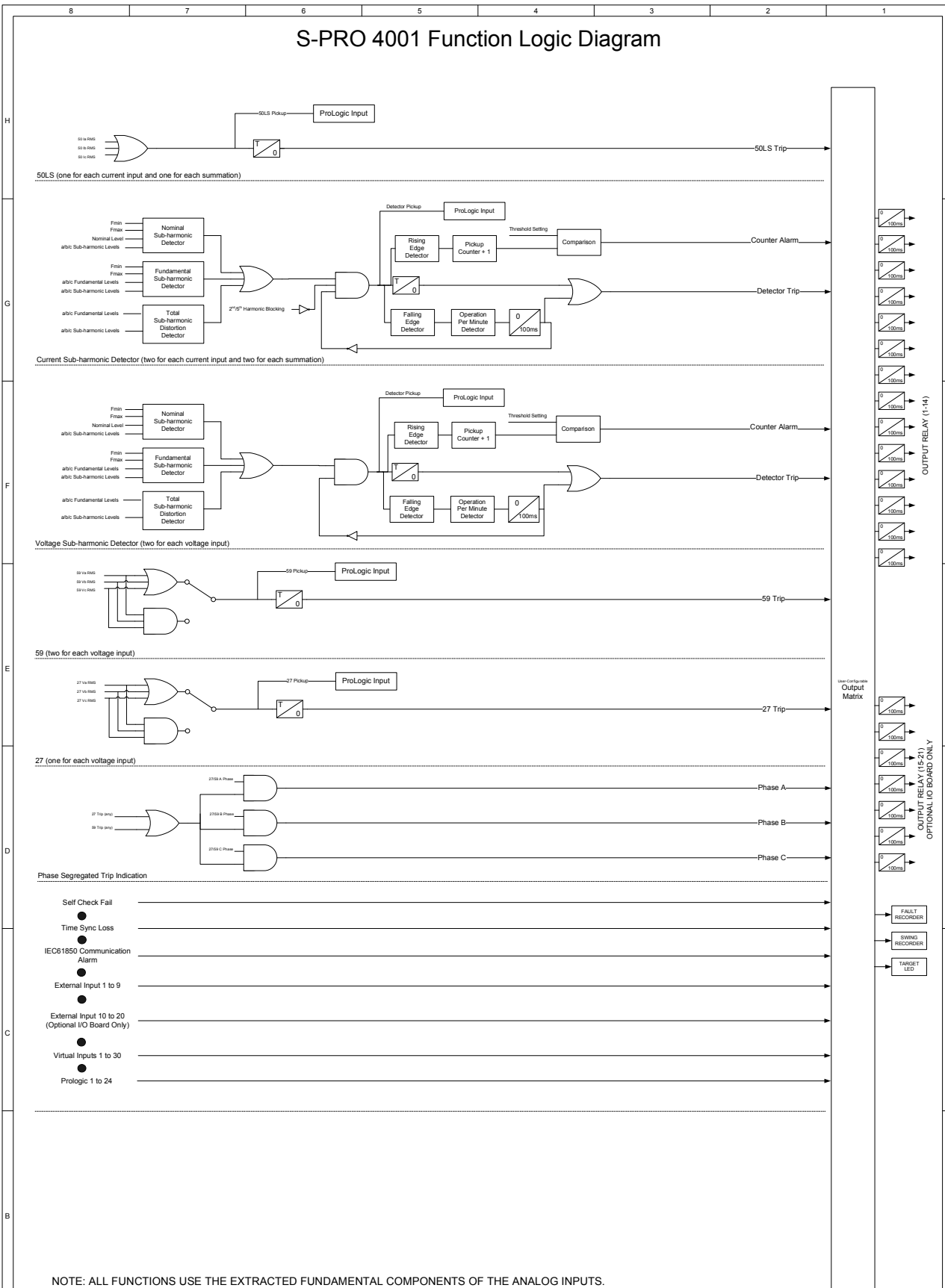


S-PRO 4001 Function Logic Diagram



NOTE: ALL FUNCTIONS USE THE EXTRACTED FUNDAMENTAL COMPONENTS OF THE ANALOG INPUTS.

Rev.	Revision History	Status:	Title:
-		RELEASED	S-PRO 4001 Function Logic Diagram
-			
-		Approvals	Dwg size: Drawing No:
-		designed by: M. Poole	E D03958R01
-		checked by: M. Poole	ERLPhase P/N: N/A
-		approved by: N. Perera	Units: Inches Scale: N/A VISIO 2003
-		approved by: M. Poole	Sheet: 1 of 1
R01	Updated for setting version 402	Date: 2015-05-27	
R00	Initial Release	Date: 2015-05-27	



This document is the property of ERL/Phase Power Technologies Ltd. and is loaned subject to the condition that it or any information contained herein will not be copied, or revealed to any unauthorized person, or used for manufacturing purposes without the express written permission of ERL/Phase Power Technologies Ltd. and all copies will be returned immediately on demand.